

2 Year Replacement Guarantee

We are so confident of the quality of our product, should this appliance develop any malfunction within 2 years of purchase (3 Months commercial use) due to faulty materials or manufacture, we will replace it for you absolutely free.

Should you experience any difficulties with your appliance, please phone our free call customer service line for advice on 1800 025 059 in Australia, or 0800 786 232 in New Zealand. Alternatively, simply return the faulty appliance to your place of purchase, along with your purchase receipt. Your Sunbeam 2 Year Replacement Guarantee naturally does not cover misuse or negligent handling, and excludes breakables such as glass or ceramic items, and normal wear and tear. Similarly, your 2 Year Replacement Guarantee does not cover damage to household surfaces as a result of water or other substances leaking from your appliance, nor does it cover freight costs. In Australia, this guarantee is additional to the conditions and guarantees which are mandatory as implied under the Trade Practices Act 1974 and State and Territory legislation.

Sunbeam Service Centres

Sunbeam has established a network of authorised service centres throughout Australia and New Zealand to provide quick, convenient service for our customers.

Should your appliance require repair or service, either during or after the guarantee period, contact your nearest service centre.

For a complete list of Sunbeam's authorised service centres:

Australia

www.sunbeam.com.au/service centres
1300 881 861

New Zealand

www.sunbeam.co.nz/service centres
0800 786 232

Sunbeam

Sunbeam

Sunbeam

nutrihair 
system

2000W Dryer

Instruction Booklet
HD8400

Please read these instructions carefully
and retain for future reference.

By 



Consumer Hotline

In Australia
Visit www.sunbeam.com.au
Or call 1300 881 861

In New Zealand
Visit www.sunbeam.co.nz
Or call 0800 786 232

 is a registered Trademark of Sunbeam.

Made in China.
Due to minor changes in design or otherwise,
the product may differ from the one shown in this leaflet.
© Copyright. Sunbeam Corporation Limited 2007.
ABN 45 000 006 771
Sunbeam Corporation is a division of GUD Holdings Ltd.

07/07



If you have any concerns regarding the performance and use of your appliance, please visit www.sunbeam.com.au or contact the Sunbeam Consumer Service Line. Ensure the above safety precautions are understood.

- Sunbeam is very safety conscious when designing and manufacturing consumer products, but it is essential that the product user also exercise care when using an electrical appliance. Listed below are precautions which are essential for the safe use of an electrical appliance:
- Read carefully and save all the instructions provided with an appliance.
- Always turn the power off at the power outlet before you insert or remove a plug. Remove by grasping the plug - do not pull on the cord.
- Turn the power off and remove the plug when the appliance is not in use and before cleaning.
- Do not use your appliance with an extension cord unless this cord has been checked and tested by a qualified technician or service person.
- Always use your appliance from a power outlet of the voltage (A.C. only) marked on the appliance.
- Close supervision is necessary when your appliance is being used by children or infirm persons.

- Young children should be supervised to ensure that they do not play with the appliance.
- Never leave an appliance unattended while in use.
- Do not use an appliance for any purpose other than its intended use.
- Do not place an appliance on or near a hot gas flame, electric element or on a heated oven.
- Do not place on top of any other appliance. Do not let the power cord of an appliance hang over the edge of a table or bench top or touch any hot surface.
- Do not operate any electrical appliance with a damaged cord or after the appliance has been damaged in any manner. If damage is suspected, return the appliance to the nearest Sunbeam Appointed Service Centre for examination, repair or adjustment.
- For additional protection, Sunbeam recommend the use of a residual current device (RCD) with a tripping current not exceeding 30mA in the electrical circuit supplying power to your appliances.
- Do not immerse the appliance in water or any other liquid unless recommended.

- **SAFETY PRECAUTIONS FOR YOUR SUNBEAM HAIRDRYER.**
- This hairdryer must not come into contact with water or any other liquid.
- Always switch off your hairdryer at the power outlet and remove the plug when not in use.
- When the hairdryer is used in the bathroom, unplugging it after use as the proximity of water presents a hazard even when the unit is switched off.
- **Warning:** Do not use your hairstyler near tubs, basins, showers, baths or other vessels containing water or any other liquid.

Sunbeam's Safety Precautions

Sunbeam's Safety Precautions	4
Features of your 2000W Nutrihair Dryer	6
Using your 2000W Nutrihair Dryer	8
Tips on the Nutrihair System	9
Help Line	10
Obtaining Replacement Nutrihair Capsules	10
Care and Cleaning	10

Contents

Tips on the Nutrihair System

On thin or fly away hair
One application every two to three shampoos is enough. Use the hairdryer on speed setting 1 to ensure that the correct amount of formula is diffused. If you normally use additional conditioning treatments, you may find that they are no longer necessary.

On curly or wavy hair
Regular use of the Nutrihair system will ensure softer hair with more defined curls. For best results, tip your head upside down and hold the nutrihair diffuser a short distance from your hair. Shape each lock with your fingers as you dry.

Hydrolysed silk proteins
Restitutes and repairs dry and damaged hair.
Vitamin B5
Penetrates, moisturises and protects the hair. Helps replenish hair's natural protein, keratin.

Pro-Vitamin B5
A vital ingredient to enable the hair to absorb vital vitamins.
Rose Hip Extract
A natural antioxidant that helps to revitalise the hair.

Use the Nutrihair deep heat treatment capsule each time you dry your hair until your hair is smooth and silky. As you dry the heat from the dryer releases the special formula enriched with silk proteins and vitamins to nourish and care for your hair. Then you can use your Nutrihair Dryer like a normal dryer until its time for another deep heat treatment.

Using your Sunbeam Nutrihair 2000W Dryer (continued)

Help Line

If you have any additional questions about using your Nutrihair Dryer, please call the Sunbeam help line in Australia on 1800 025 059. In New Zealand, please call 0800 786 232.

Obtaining replacement Nutrihair capsules

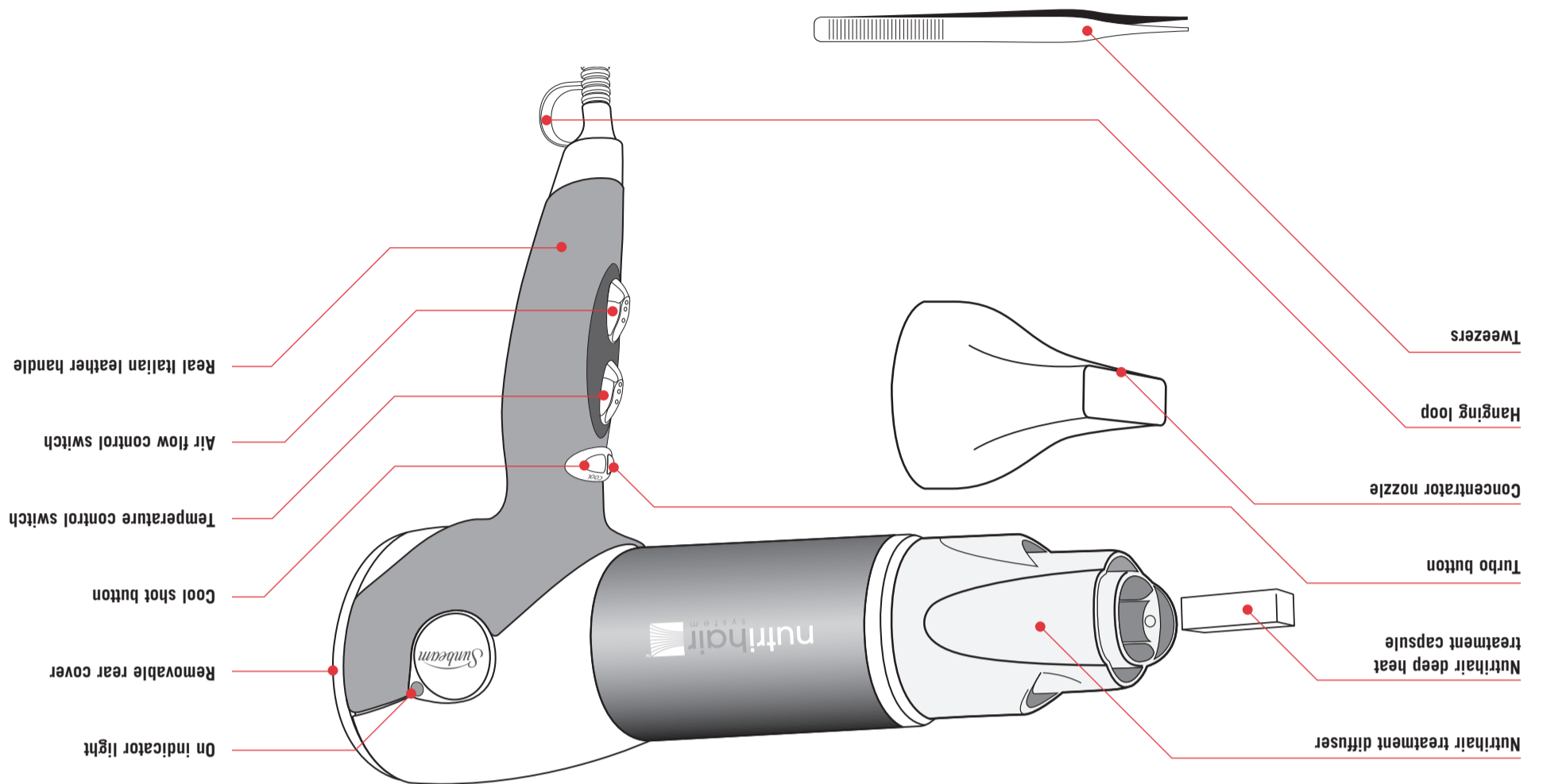
Replacement packs of 8 capsules are available from electrical retailers and department stores nationally. Please call 1800 025 059 to obtain local stockist details.

Care and Cleaning

- Turn your hairdryer off after use. Always turn the power off and remove the plug before cleaning.
- Do not immerse the hairdryer in water or any other liquid.
- To clean the exterior, simply wipe over with a dampened cloth and wipe dry.
- Pull off the removable cover and remove any hair and lint from the grille.
- Click back into position before using again.
- Clean the inside of the cover regularly to maximise the life of the dryer.
- Do not wind the cord around the dryer as this may strain and damage the wiring.

تأكد من تفهم احتياطات السلامة المذكورة اعلاه
 請務必理解上述的安全預防措施
 Assurez-vous que les précautions ci-dessus relatives à la sécurité sont bien comprises
 Versichern Sie sich, dass die obenstehenden Sicherheitsmaßnahmen Verstanden werden
 Βεβαιώσετε πως οι παραπάνω προφυλάξεις ασφαλείας γίνονται κατανοητές
 Pastikan bahwa tindakan-tindakan keselamatan seperti di atas dimengerti anda
 Accertatevi che le suddette norme di sicurezza siano comprese a dovere

上記の注意事項をよくお読みになり、安全を御確認ください
 Уверете се дека погоре споменатите мерки на претпазливост се добро разбрани
 Asegúrese de que las precauciones de seguridad precedentes sean bien comprendidas
 کاری بکنید که احتیاطهای بالا حتماً درک بشوند
 ต้องแน่ใจว่า ข้อควรระวังเรื่องความปลอดภัยข้างต้น เป็นที่เข้าใจกันดี
 Yukarda belirtilen güvenlik önlemlerinin anlaşıldığından emin olunuz
 Xin kiểm chắc rằng những biện pháp làm an toàn kể trên được hiểu rõ



Features of your Sunbeam Nutrihair 2000W Dryer

Using your Sunbeam Nutrihair 2000W Dryer

Using as your usual dryer

- Your dryer has 3 heat and 2 speed settings. This combination allows for versatility and control when drying and styling your hair.
- The blue switch controls the speed settings and the red switch controls the heat settings
- The on indicator light will come on to show that the hairdryer is plugged in and in operation.
- A combination of high temperature and strong airflow is ideal for fast drying
- Lower temperature and gentle airflow settings give greater control when styling
- The cool shot setting provides a burst of cool air to set the style in place once styled
- The turbo setting increases the temperature for a fast drying boost and is ideal to use on the roots to create volume and movement Do not use this setting continuously.

Using the Nutrihair system

- Ensure that the dryer is switched off and unplugged from the socket.
- Remove the concentrator nozzle if attached and attach the nutrihair treatment diffuser.
- Open the deep heat treatment capsule and remove the tablet using the tweezers supplied. Make sure the capsule is firmly pushed into the diffuser.
- Dry and style as normal making sure that the dryer is used from the root, right to the ends of the hair.
- Direct the airflow downwards in the direction of the hair growth.
- The amount of formula diffused onto the hair can be regulated by controlling the drying time along with the temperature and airflow. The maximum amount will be diffused when the temperature and airflow settings are at their highest. If you require less formula to be diffused, reduce the heat / speed settings.
- Each capsule can be used for up to 30 minutes. We recommend a minimum of 10 minutes drying time with the capsule.
- If you do not use the capsule for the full 30 minutes, return it to its individual capsule to help preserve the formula.
- Do not use the Nutrihair system with the turbo setting.

Please note that the deep heat treatment capsule does not contain any artificial colouring. The colour comes from the cosmetic ingredients and therefore any change in the capsule colour during use is normal.

Sunbeam's Safety Precautions (continued)

DEEP HEAT TREATMENT CAPSULE

- For external use only.
- Keep out of the reach of children.
- Store in a cool dry place.
- Use only as directed.

- In case of contact on the skin or in the eye, if irritation occurs, flush with lukewarm water until the product is removed.
- If swallowed, DO NOT induce vomiting but rinse mouth with water and seek medical advice.

Ingredients

AQUA, HYDROLYSED SILK, DMDM HYDANTOIN, PANTHENOL, PHENOXYETHANOL, ROSA CANINA FRUIT EXTRACT, ASCORBIC ACID, MALTODEXTRIN, PARFUM, NIACINAMIDE, PPG-26-BUTETH-26, PEF-40, HYDROGENATED CASTOR OIL, PYRIDOXINE HCL.

Real Leather Handle

We use real Italian leather and employ natural tanning techniques to make the leather soft to the touch. Natural variations will occur which reflect the properties of real leather. Natural variations in the leather are not defects and are not covered by the replacement guarantee.